



Wintergardens



Left: SDL Avalis with cero sliding windows flat roof concept; Right: SDL Akzent plus with cero sliding windows

Direction

“Architecture is a language. It expresses where we come from, who we are and where we are going.”

Prof. Dr.-Ing. Alexander Beck, Architect



SDL Akzent plus with cero sliding windows

Contents

Wintergardens by Solarlux	8
Application areas	12
Roof shapes	16
Shapes and colours	20
The Solarlux Design Line	28
SDL Avalis	30
SDL Akzent plus	34
SDL Akzent Vision	38
SDL Nobiles	42
SDL Avantgarde	46
System comparison	50
Flexible opening system variants	54
Heating and ventilation	56
Solar protection, lighting and orientation	60
Technology	66
A sustainable, family-run company	80
Solarlux digital	86

Wintergardens by Solarlux

Outdoors is the new indoors

Being outside - or, even better - capturing the essence of nature within your own four walls is something of huge emotional value to many people, and can improve their well-being, help them relax, and provide them with the perfect atmosphere to thrive. Being close to nature helps us feel grounded in our lives and can be an alternative to the classic 'four walls'. When we make a wintergarden at Solarlux, we also create something much more valuable, something special - beyond gaining living space. Have you already asked yourself how many walls you really need around you? One thing's for sure - we've got the answers. Solarlux is a company that has stood for premium quality for almost 40 years.

Glazed extensions such as wintergardens are made at our headquarters nearby Osnabrück, Germany, together with all our glass canopies, bi-foldings and complete facade solutions. Whether you're looking for the best possible protection from the elements or simply want to be able to enjoy the outdoors more, Solarlux is on hand to make your dreams a reality - with certified quality and compliance with the applicable regulations guaranteed. Read on, and let Solarlux inspire you - we hope you enjoy reading this brochure.

Modern architectural concept

A glass extension can be a lot more than a classic wintergarden - as Solarlux has demonstrated with its SDL Avalis spatial concept. The new space has a positive impact on the energy balance in the building and thus makes a proven contribution towards reducing heating costs. What's more, with its cubic design and as a flat roof extension, SDL Avalis is on point when it comes to all the latest architectural trends, setting it apart from more traditional wintergarden concepts. SDL Avalis heralds the dawn of a new era in the wintergarden sector. The prefabricated roof module is available in any choice of size so it can even cover larger spaces, and customers are free to choose whether or not a roof opening with a glazed skylight fits their design expectations and the existing building.



Application areas

Individual solutions for your individual needs

As a 'roof' solution, a wintergarden can be customised to meet the owner's various structural requirements with glass substructures such as a bi-folding door or even a large sliding window. The roofs, shade features and vertical glass elements are conceived precisely to work in perfect harmony with one another, right down to the smallest detail. All Solarlux products come from a single source - thus guaranteeing full functionality for many years to come.



Bespoke solutions

Wintergardens cater to a wide range of applications - a "traditional" extension to your living space is just one of many possibilities. Our wide range of roof designs - each of which is perfectly tailored to suit your individual project - is also suitable for use as an integrated roof system, as an accessible extension for outdoor seating areas in the gastronomy industry or for healthcare facilities.



Ref. 1226 // SDL Akzent Vision

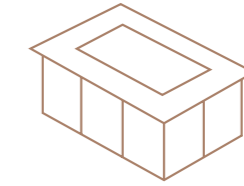
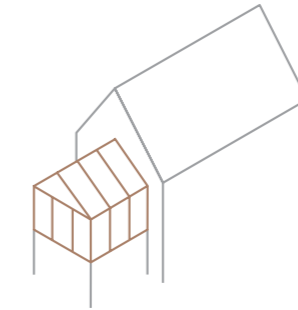
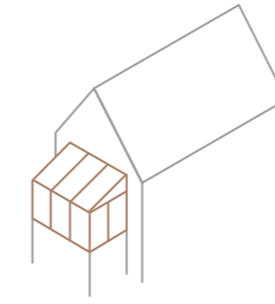
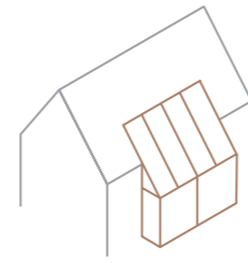
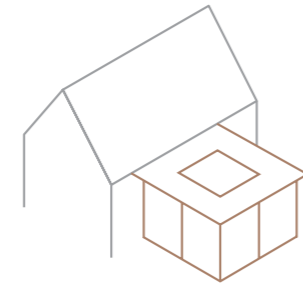


Ref. 1672 // SDL Avantgarde; SL 179; Combiline



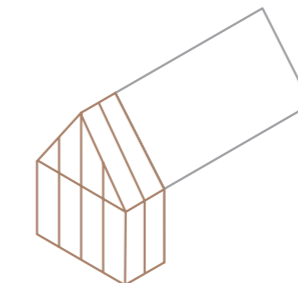
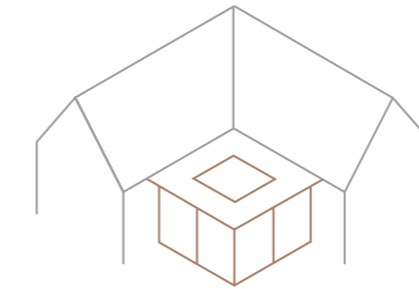
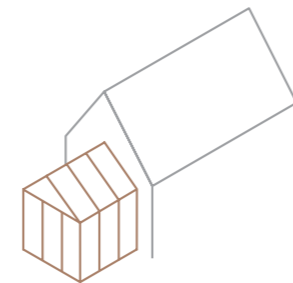
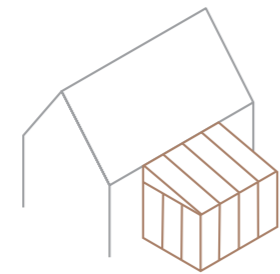
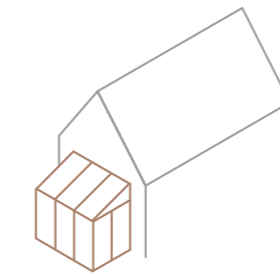
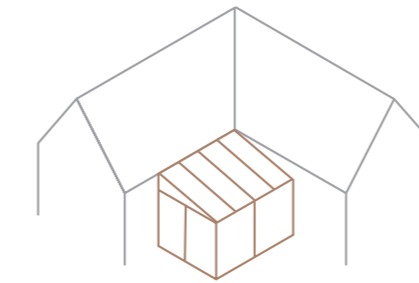
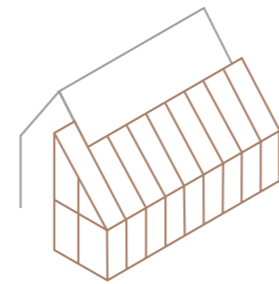
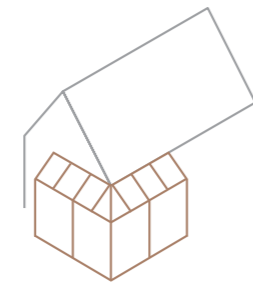
Ref. 1564 // SDL Akzent Vision; SL 80

Roof shapes



The perfect solution for any architecture

Whatever your stylistic tastes, Solarlux wintergardens offer the right roof shape for any situation. Each client can decide for themselves whether they want a harmoniously integrated extension to their living space or to add a striking touch to their home with a built-on wintergarden. Our in-depth planning and consultation services will allow us - together with the owner, of course - to determine the perfect shape and size to suit their ideas and wishes. Design, structural specifications, drainage, shading and ventilation - these are the key factors that help us to design the perfect roof construction and bring it to life.



Solarlux can design an amazing wintergarden solution for any building - from a traditional, built-on wintergarden to integrated glass architecture, over one floor or the full height of the house, covering the entire facade. The roof shapes shown here are intended purely as examples. In reality, we can make almost any type of roof you can think of, and always work to match it with the existing architectural and structural conditions of your home.



SDL Avantgarde; Ecoline bi-folding door and window system



Shapes and colours

Our materials

Test certificates from reputable national and international institutes guarantee the highest level of quality for every Solarlux wintergarden. The fully tested structural specifications offer peace of mind in extreme weather conditions, such as snowfall leading to snow drifts, high winds and even hurricanes. All our systems also come with the CE mark as a matter of course. This European seal of approval confirms that Solarlux products comply with DIN EN 1090, which has been mandatory for all manufacturers of steel and aluminium supporting structures since 2014. This system is used throughout Europe to demonstrate when a factory has been certified and carries out its own production control.

DIN EN 1090 is extremely important. If this certification is not provided, your planning permission may be rejected.



Aluminium - The material for durability and conservation of resources

Durable and almost completely zero-maintenance - this is the promise that aluminium makes as a material. We also apply environmental awareness to our aluminium production - Solarlux is certified in accordance with the German A.U.F. Recycling Loop, which has confirmed that 98% of our aluminium is recycled in an environmentally conscious manner that saves on resources. All of our aluminium wintergardens are available in any colour - including special colours such as Eloxal or DB with a metallic iron effect.

Wood - The natural material for a cosy environment

The woods used by Solarlux are FSC® and PEFC™-certified, and are sourced from sustainable forestry. Both our certificates in this area set high standards, particularly in terms of sustainability, the environmental sustainability of the forest cultivation, the quality of the work, and the social expertise of the forestry companies we work with. Our use of water-based finishes and energy-saving production with recycling of water and heat provide further evidence of the care with which we handle our natural resources. This means that when you choose wood as your material, you are opting for a natural raw material that will provide individual and cosy living.

Solarlux fulfils this preference in every respect. In addition to spruce and pine, we also offer a wide range of other timbers, depending on the grain. Our surface treatments are completely individual, too. Whether you opt for a varnish, a hand-oiled surface or an opaque lacquer, your wintergarden is available in almost any colour, completely independent of the manufacturer.

 RAL 1015	 RAL 3011	 RAL 5003
 RAL 5008	 RAL 5014	 RAL 6005
 RAL 6009	 RAL 7004	 RAL 7006
 RAL 7015	 RAL 7016	 RAL 7021
 RAL 7024	 RAL 7035	 RAL 7038
 RAL 7039	 RAL 7040	 RAL 8017
 RAL 8019	 RAL 8022	 RAL 8077
 RAL 9001	 RAL 9003	 RAL 9004
 RAL 9005	 RAL 9006	 RAL 9007
 RAL 9010	 RAL 9011	 RAL 9016

Our colours

When you choose a Solarlux wintergarden, you opt for individuality. Solarlux standard colour options, which include around 30 RAL colours, offer all the colours of the rainbow in matt and gloss finishes, at no extra cost. This allows every wintergarden to match its building's interior and exterior design. We use our own in-house coating plant - one of the most modern in Europe - for top surface quality.



The Solarlux coating is certified to international standards

Special colours

It goes without saying that we also offer special DB (metallic iron effect) and RAL colours, as well as special surface finishes (e.g. by Tiger) for anyone looking to give their wintergarden a unique twist. We can make almost any wish come true - and we also offer coatings for special climate requirements (e.g. coastal properties).





Climate buffer zone

A highly efficient, thermally insulated wintergarden acts as the perfect link between the inside of your home and the natural world around it. It is especially effective in balancing out the temperatures as the seasons change, and absorbs the sun's heat to keep your home warm. On top of this, the wide range of ventilation and shading options available will give you the perfect climate inside your wintergarden.



Experience all four seasons

Discover the first blossoms of spring, feel the warm sun on your back, and watch leaves and snow fall on the roof above your head: a wintergarden gives you a front row seat to watch the changing seasons.



Boost the value of your property

A wintergarden gives you more than just extra space - it is also a sure-fire way of increasing your property's value. For private and public construction projects alike, a Solarlux wintergarden is always a sound investment in the material value of an existing building.



One of a kind

Every wintergarden we make at our factory in Osnabrück is unique - you'll never see the same one twice. This makes each Solarlux wintergarden a one-of-a-kind solution. Thanks to their different roof shapes, colours and materials, you can always find a Solarlux wintergarden to match your existing architecture. In addition to their functionality, their high-quality design represents true added value.

What Solarlux offers

- ✦ In-depth consultation and planning
- ✦ Free visualisation (e.g. virtual reality model)
- ✦ Wide range of shapes, materials and colours
- ✦ Filigree profile views and maximum transparency
- ✦ Silicone-free assembly
- ✦ Sophisticated technical construction in terms of drainage, sealing, structural specifications and substructure
- ✦ Compliance with all applicable standards and specifications

Your choice
makes all
the difference

[The systems at a glance](#)

The Solarlux Design Line

SDL Avalis

SDL Akzent plus

SDL Akzent Vision

SDL Nobiles

SDL Avantgarde

System comparison

The Solarlux Design Line

Your one of a kind

Every Solarlux wintergarden is a bespoke solution that is tailor-made to suit your individual needs. The wide range of systems we offer is perfect for designing and building simple roof constructions, unusual designer roofing, or even complex custom solutions.





SDL Avalis

Aluminium; wood; wood/aluminium

Architectural spatial concept,
available as stand-alone construction
or extension

The thermally insulated SDL Avalis roof system offers a completely new way of extending your living space. It meets high aesthetic demands and follows the latest architectural trends with its purist cubage. Available as a stand-alone solution or an extension to an existing building, the SDL Avalis is sure to impress with the sheer variety of different ways it can be used. Requirements relating to maximum thermal insulation, reliable ventilation and shading are included as standard in the system design. Solarlux bi-folding doors and the cero sliding windows offer a variety of substructure options.

- Two design options with slanted or straight roof overhangs
- Multi-laminated roof module
- Various pre-fitted top light solutions available for the roof module
- Thermal insulation above the load-bearing level
- Filigree roof plate sight line
- Can be combined with bi-folding doors or the cero sliding window
- Pleasant indoor climate





SDL Akzent plus

Aluminium

Slim sight lines,
impressive design

An elegant, well-insulated space flooded with light – this is a role the SDL Akzent plus wintergarden roof system plays to perfection. The filigree rafters give the roof a slimline look and maximise the amount of light allowed into the wintergarden. The external structural members make the roof of the wintergarden even on the inside, adding a lightness to the ambience and allowing you to make the most of the room's height. Thanks to the sophisticated engineering, it can be used to create even large roof constructions with no problem whatsoever.

- Roof pitches of 5° to 45° available
- Quick and easy installation
- Low thermal transmission coefficients thanks to profiles with optimised thermal insulation
- Complies with structural requirements for handling wind and snow loads
- Slender sight lines
- Wide range of combination options



Ref. 1597 // SDL Akzent plus; Ecoline



SDL Akzent Vision

Aluminium

Unusual design

The extravagant design is one of the key features of the thermally insulated SDL Akzent Vision roof system. The structural reinforcement is designed deliberately to allow you to see how force is transferred through the system, lending the SDL Akzent Vision a unique character. The holes in the bearing profile add a sense of lightness to the overall look, maximising the amount of light that comes into the extension.

- Roof pitches of 5° to 45° available
- Internal structural reinforcement as a design feature
- Designer rafters with special holes for an airy look
- Controlled roof system drainage
- Complies with the latest regulations of the German Building Energy Act (GEG)





Ref. 1564 // SDL Akzent Vision; SL 80



Ref. 1564 // SDL Akzent Vision; SL 80

SDL Nobiles

Aluminium

Filigree roof design with slender look

With its filigree design, the SDL Nobiles will lend your home a sense of lightness. The minimalist rafter structure creates a flat roof area on the outside that blends in beautifully with the existing architecture. Slender rafter profiles make the entire roof system seem almost as if it's floating.

- Roof pitches of 5° to 45° available
- Internal structural reinforcement
- Filigree rafter profiles let in plenty of light
- Can be combined with a wide range of lighting systems





Ref. 552 // SDL Nobiles; Highline





SDL Avantgarde

Wood/aluminium

A natural vibe
with perfect weatherproofing

The SDL Avantgarde wintergarden will bring you closer to nature in two ways: The wood on the inside of the roof makes it a unique, natural product, lending the room a homely feel. The high-quality woods used in the design allow you to make the roof any shape you like. The furniture-quality wooden surfaces and the limitless choice of shapes, colours and functions give you maximum creative freedom for your design. The aluminium covers on the outside provide protection against the effects of weathering. The covers are available in any RAL colour, of course, thus ensuring that the roof system matches the existing architecture.

- Interior: Real wood
- Exterior: Rear-ventilated aluminium covers
- Roof pitches of 5° to 45° available
- Triple glazing combination options
- Wide range of roof and roof shapes available



System comparison

	SDL Avalis	SDL Akzent plus	SDL Akzent Vision	SDL Nobiles	SDL Avantgarde
Roof construction material					
Aluminium	○	●	●	●	○
Wood/aluminium	○	○	○	○	●
Wood	● ⁽¹⁾	○	○	○	○
Substructure material					
Aluminium	●	●	●	●	●
Wood/aluminium	●	●	●	●	●
Wood	●	●	●	●	●
Roof shapes					
Flat roof	●	○	○	○	○
Monopitch and pitched roof	○	●	●	●	●
Customised designs	○	●	○	●	●
Roof pitch	2 % pitch insulation	5 - 45°	5 - 45°	5 - 45°	5 - 45°
Dimensions	Subject to techn. clarification	Subject to techn. clarification	Subject to techn. clarification	Subject to techn. clarification	Subject to techn. clarification
Glazing					
Heat-retaining glazing	● ⁽²⁾	●	●	●	●
Anti-sun glass	● ⁽²⁾	●	●	●	●
Sound insulation glazing	● ⁽²⁾	●	●	●	●
Glass thickness	28 - 44 mm ⁽²⁾	28 - 44 mm	28 - 44 mm	28 - 44 mm	26 - 48 mm

⁽¹⁾ Multi-laminate wooden roof plate with several different insulation and sealing layers⁽²⁾ Specifications only apply for systems with a built-in skylight cut-out

	SDL Avalis	SDL Akzent plus	SDL Akzent Vision	SDL Nobiles	SDL Avantgarde
Colours					
Aluminium coatings in RAL, DB, Duraxal	●	●	●	●	●
Solarlux wood colours	○	○	○	○	●
Designer guttering	○	●	●	●	●
Shading					
Internal and external awning/vertical	● ⁽²⁾	●	●	●	●
Ventilation					
Motorised sliding roof lights	● ⁽²⁾	●	●	●	●
Motorised roof hatches	●	●	●	●	●
Motorised roof ventilation	● ⁽²⁾	●	●	●	●
Motorised or manual tilting windows	●	●	●	●	●
Insect protection screen (only sliding roof hatches and windows)					
	●	●	●	●	●
Lighting					
Spotlight rail with built-in LED lamps	○	●	○	○	●
Custom lighting systems	On site	Subject to techn. clarification	Subject to techn. clarification	Subject to techn. clarification	Subject to techn. clarification
Wintergarden control system for automation (shading, roof light, ventilation, heating)					
	●	●	●	●	●
Downpipe/downpipe cladding					
	On site	●	●	●	●

⁽²⁾ Specifications only apply for systems with a built-in skylight cut-out

Flexible opening system variants

An unobstructed view of paradise

Whichever roof system you choose, you can combine your roof construction with a variety of vertical glass elements. All elements match each other perfectly and come from a single source - from sliding doors and bi-foldings through to turn-and-tilt windows. As a result, you can enjoy wide openings to the outdoors and a large cross-section that facilitates a fast interchange of air for perfect ventilation. We offer a comprehensive range of vertical elements, which can be used to install Solarlux bi-folding doors and sliding systems under almost any roof system. The benefits: a Solarlux wintergarden

is transparent on all sides, causes no reduction in daylight, and can be opened up fully on all elevations. This will allow you to enjoy the fresh air to its fullest when the weather is nice. In addition to this, the many different ways a bi-folding door can be opened give you full control over the temperature in your room. But even when closed, the elements never obscure your view of the outdoors.



Ref. 1675 // SDL Akzent plus; Highline; cero

The cero sliding window

The cero sliding window opens up rooms to give them an impressive new dimension. cero offers every possibility required for architecturally demanding buildings from a constructive and creative point of view. The slender frames and profiles help to make the elements as transparent as possible. The sight lines are kept to just 34 mm, resulting in a minimalist design that is underlined by the 98% glass composition.



Ref. 1675 // SDL Akzent plus; Highline; cero

Wood, aluminium and wood/aluminium bi-folding doors

Inwards or outwards, folding to the left and/or to the right - Solarlux bi-folding doors offer countless opening system possibilities. The individual glass elements can be opened or closed in just a few simple steps, across their whole area. The perfect touch: building an accessible floor track in accordance with DIN 18040 into your glass extension will create a

seamless transition to the architecture of your house. Tilt-and-turn panels and window elements can help you enjoy even more creative freedom. Thanks to the range of different materials, colours and design options we offer, your bi-folding door will blend in harmoniously with the overall look of your wintergarden.



Ref. 1557 // SDL Akzent plus; SL 80

Of course, fixed glazing, traditional swing-panel and lift-and-slide doors can also be used in the cero system, as can parallel sliding or tilt elements.

Heating and ventilation

Ventilation

In order to maintain the perfect climate at all times, Solarlux wintergardens can be fitted with a wide range of ventilation variants that can be combined in many different ways. The flexible opening options of the bi-folding door provide plenty of fresh air. The adjustable ventilation slats at the bottom of the windows or bi-folding doors also provide an additional way of letting in fresh air, whatever the weather. Both traditional roof hatches and sliding or tilting windows

can be integrated into the roof area for additional ventilation. Weatherproof roll ventilators enhance the effects of the ventilation system. All your electrically motorised opening elements can be controlled automatically in response to the temperature, humidity, wind, sunlight and rain conditions.

Windows to match your wintergarden

We offer a wide range of window solutions for our SDL Akzent plus and SDL Nobiles aluminium wintergardens, and also for the SDL Avantgarde wood/aluminium system. You can integrate a traditional tilt-and-turn window, a top light, model panes or fixed elements wherever you want in your system. The benefits: The profiles of the windows will match the vertical elements of your wintergarden perfectly, creating a uniform aesthetic for the entire combination of wintergarden and windows. If you opt for our wood/aluminium material combination, you will also have a number of different window profiles to choose from.



SDL Avantgarde wood/aluminium wintergarden with Combiline bi-folding door, and Combiline window system with tilt-and-turn elements and model panes



SDL Avalis spatial concept with all-glass corner, four-panel Woodline bi-folding door, and Woodline window system with turn-and-tilt and fixed elements

Heating

There are a range of heating options available so you can continue to enjoy your wintergarden during the colder months. Fireplaces and tiled stoves are especially effective, as is underfloor heating. But even normal radiators and underfloor convectors can be integrated into a wintergarden without any problem.

Air conditioning

The effective thermal insulation, clever ventilation concept and high-quality shading systems help to ensure a pleasant climate in your wintergarden, even on sunny days. In areas that are exposed or subject to extreme heat, however, it might be advisable to install an additional air conditioning system. This can be set to a specific temperature so that it automatically comes on when needed to regulate the climate in your extension.

Automation

The intelligently harmonised technical fittings of your wintergarden provide a foundation that will enable you to enjoy it all year round. You can operate all the components by hand if you want to of course, but the automatic control system offers maximum convenience, with a special wintergarden control system that allows you to regulate the ventilation, shading and lighting in comfort.



Solar protection, lighting and orientation

Solar and glare protection

Even with the best insulation, a wintergarden can get very warm on hot days. This can be remedied using our high-quality shading systems. Awnings provide effective shade on the outside of your wintergarden, catching the sun's rays before they hit the glass to keep things nice and cool inside. Inside shading options such as blinds, pleated blinds, Venetian blinds and film blinds also keep your wintergarden from getting too warm, especially in summer. They also have the added advantage of being a flexible way of keeping prying eyes from looking in. You can also combine wind and temperature sensors with a wintergarden control system to regulate the shade automatically, thus keeping the climate in your wintergarden pleasant even when you're not at home.

Lighting

As soon as the sun goes down, well-placed light sources can keep things bright and cosy in your extension. Spotlight rails with built-in, low-voltage lamps can be mounted under the individual rafters for a subtle yet effective solution. Both fixed and swivelling LED spotlights are available.



Ref. 1675 // SDL Akzent plus; Highline; cero





SDL Akzent plus; cero sliding window

North-facing

North-facing wintergardens will be filled with even, glare-free light all day long - perfect for offices and studios. The indirect sunlight also provides a great climate for many plants.

East-facing

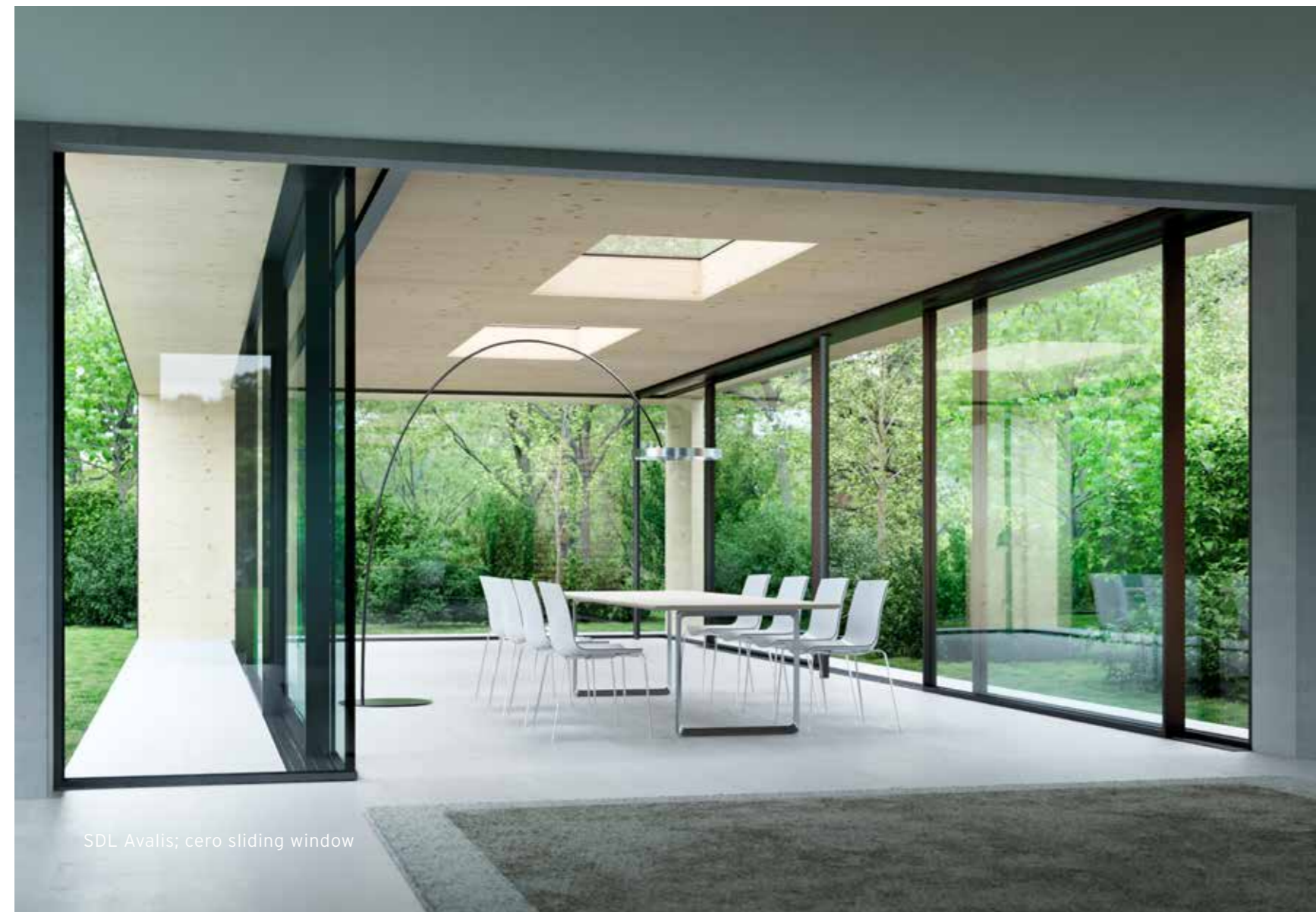
East-facing wintergardens are especially enjoyable at breakfast time, when they are flooded with pleasant light. The shade from the house itself will offer great protection from the afternoon sun, and even plants that need to be kept away from direct sunlight will love these spaces.

South-facing

A south-facing wintergarden will allow you to enjoy the outdoors later into the year, and also keeps in pleasant heat from autumn through to spring - though you'll need to make sure you have effective ventilation and shading options for the summer.

West-facing

A west-facing wintergarden will give you warmth from the afternoon and evening sun - the perfect end to your day. Beautiful sunsets will provide the perfect backdrop for those cosy evenings.

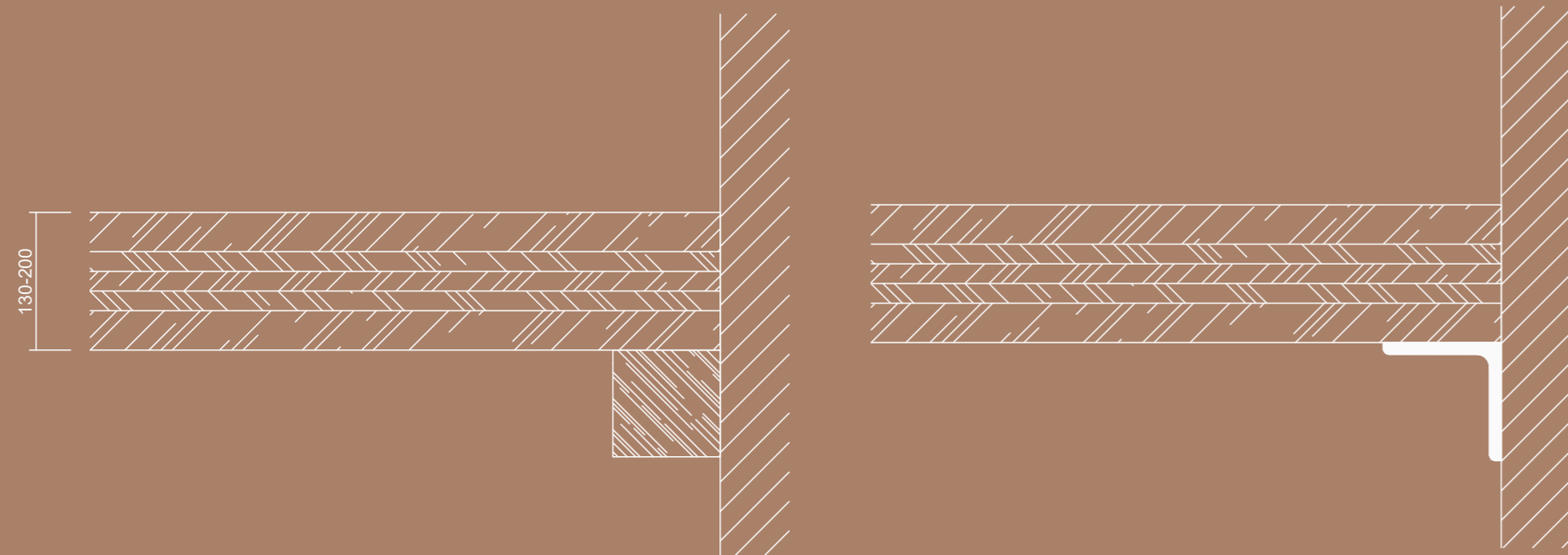


SDL Avalis; cero sliding window



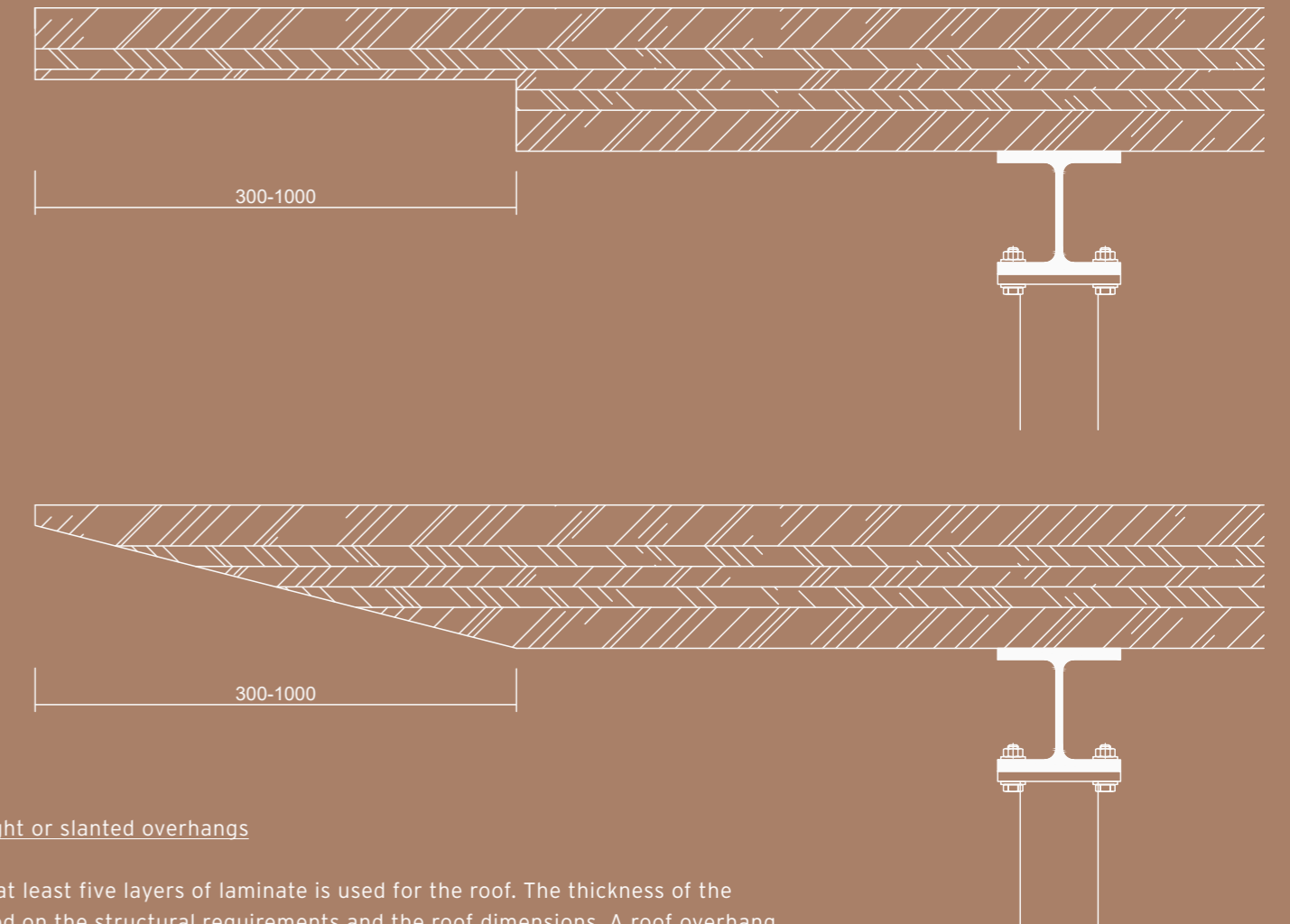
SDL Avalis; cero sliding window

SDL Avalis



Wall joint with laminated beam or angled abutment

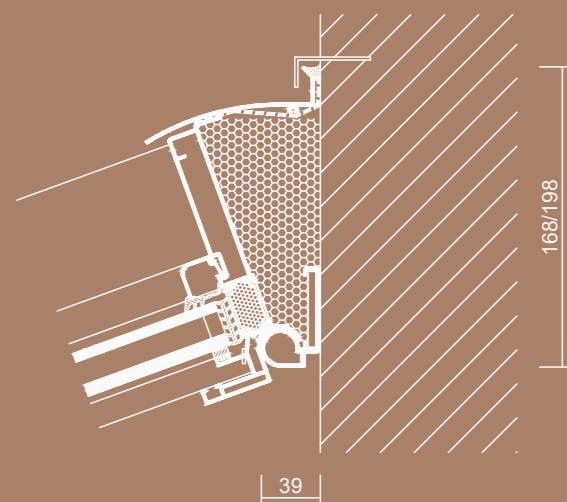
The roof plate can be laid with either a laminated beam abutment or an angled abutment, both made of steel. The abutment variants can be either sourced by the client or supplied by Solarlux. The design is chosen based on both the structural requirements and the construction conditions on site.



Roof variants with straight or slanted overhangs

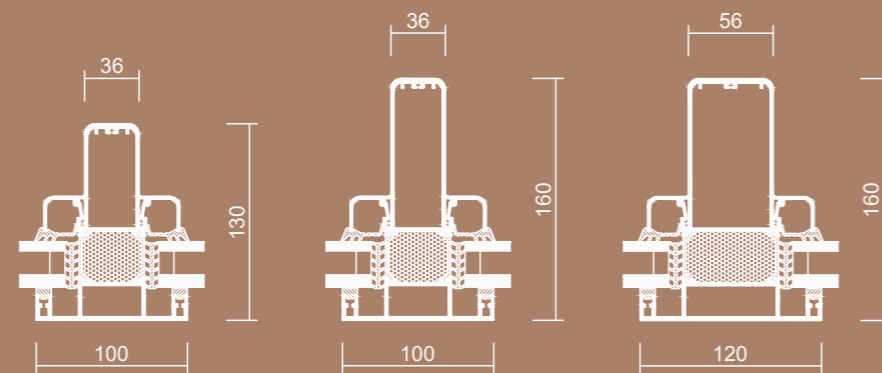
A solid wood plate with at least five layers of laminate is used for the roof. The thickness of the plate is determined based on the structural requirements and the roof dimensions. A roof overhang of up to 1,000 mm is possible for both variants. The drainage always occurs above the roof plate.

SDL Akzent plus



Wall joint

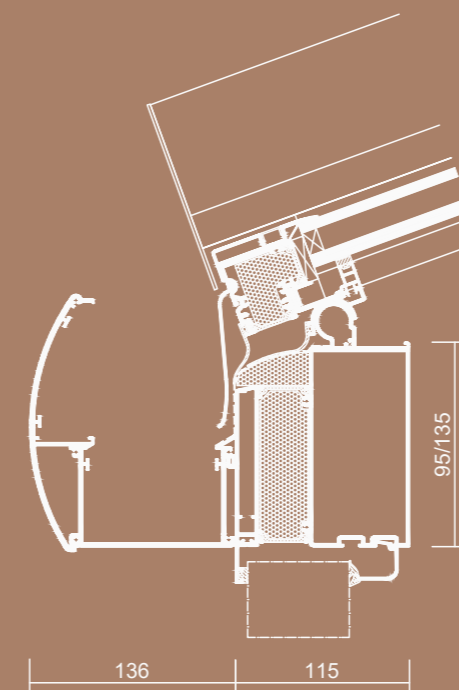
- Multi-section wall joint allows roof pitches from 5° to 45°



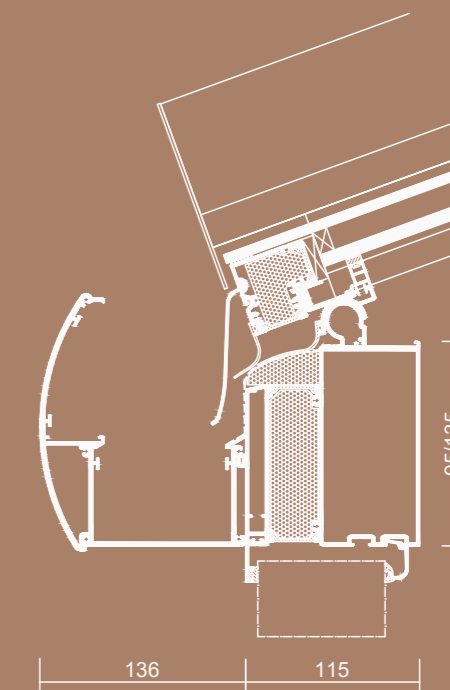
Rafters

- Three rafter types with steel reinforcement where necessary depending on structural requirements
- With optional spotlight rail

Version with pressure glazing



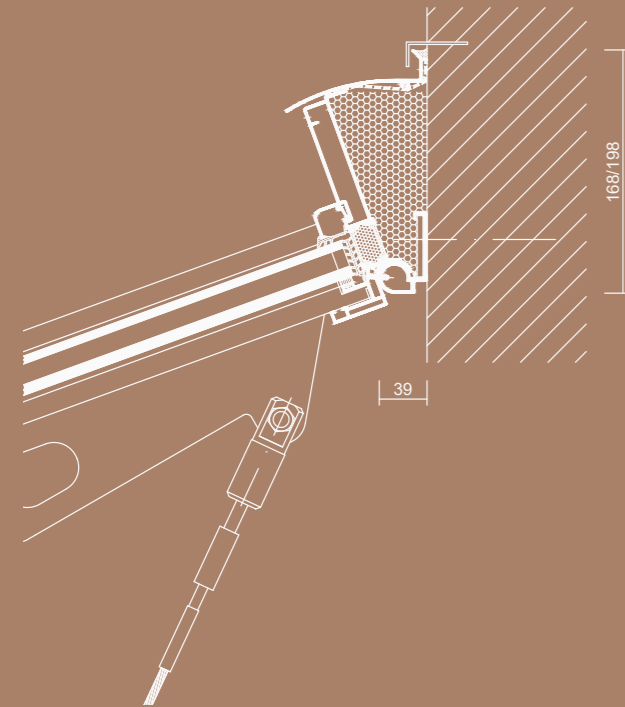
Version with stepped-edged glazing



Eaves with high-performance thermal insulation

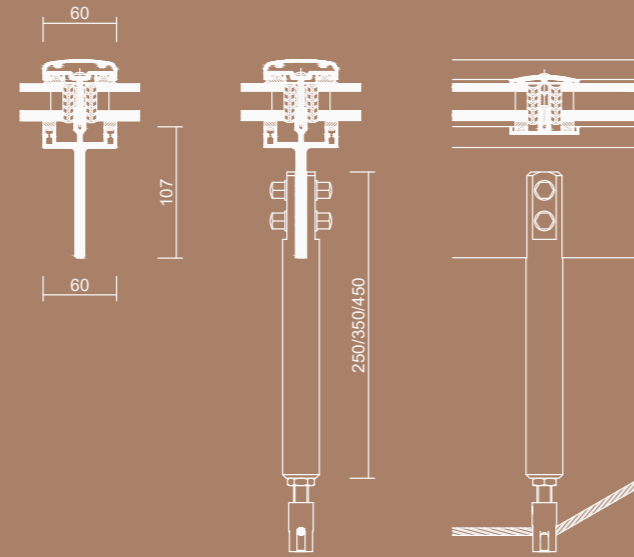
- Multi-section eaves with rounded Softline profile on the outside
- Available in two sizes and with steel reinforcement depending on structural requirements
- Compatible with vertical glass elements with different overall depths
- Elegant interior support structure with glass moulding

SDL Akzent Vision



Wall joint

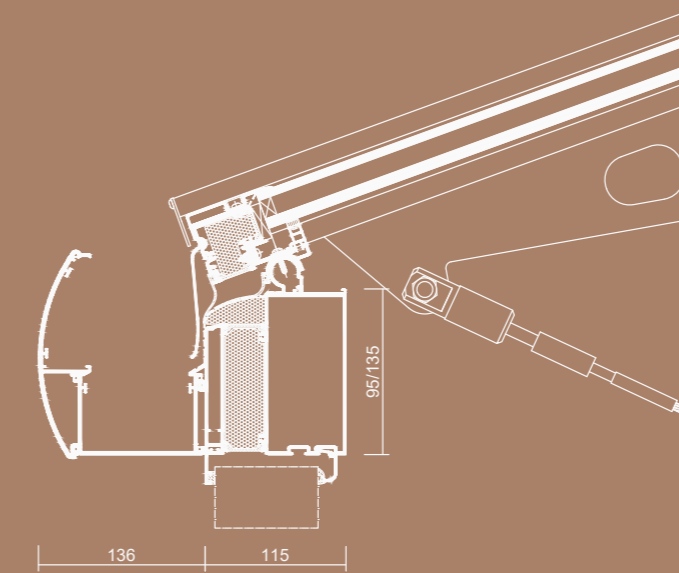
- Multi-section wall joint allows roof pitches from 5° to 45°



Rafters incl. compression strut

- Ultra-slim rafters in modern design, with holes and stainless steel guying cables
- Three lengths of compression strut are available to suit different spans

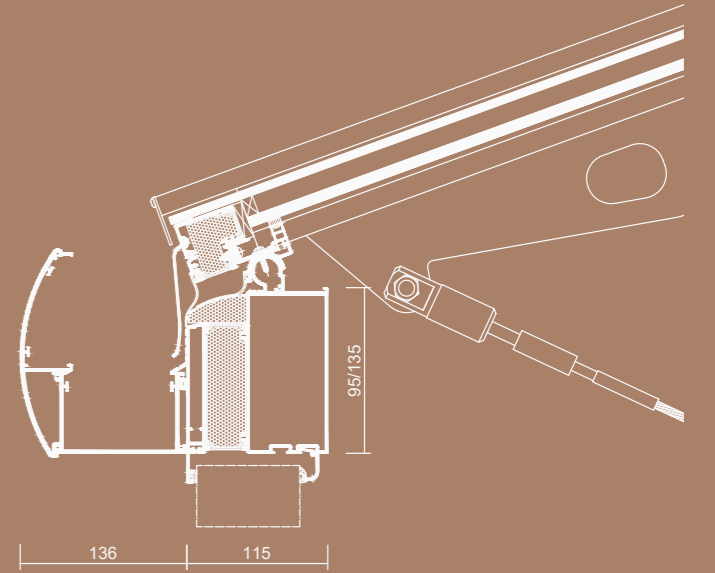
Version with pressure glazing



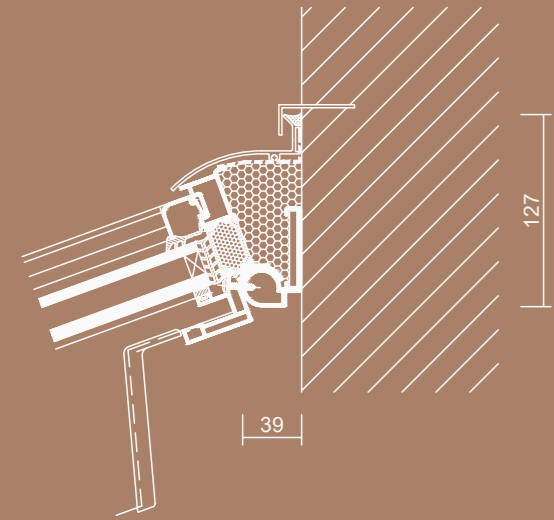
Eaves with high-performance thermal insulation

- Multi-section eaves with rounded Softline profile on the outside
- Available in two sizes and with steel reinforcement depending on structural requirements
- Compatible with vertical glass elements with different overall depths
- Elegant interior support structure with glass moulding

Version with stepped-edged glazing

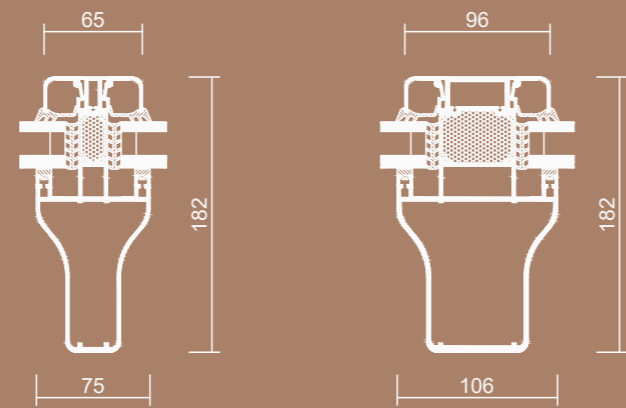


SDL Nobiles



Wall joint

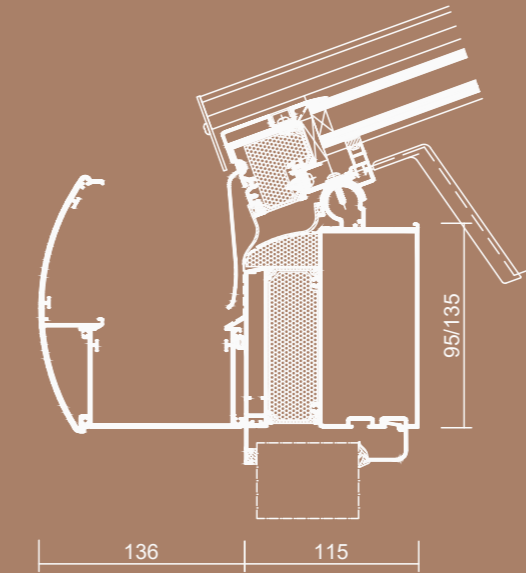
- Multi-section wall joint allows roof pitches from 5° to 45°



Rafters

- Two types of rafters with internal structural members
- Available with steel reinforcement depending on structural requirements

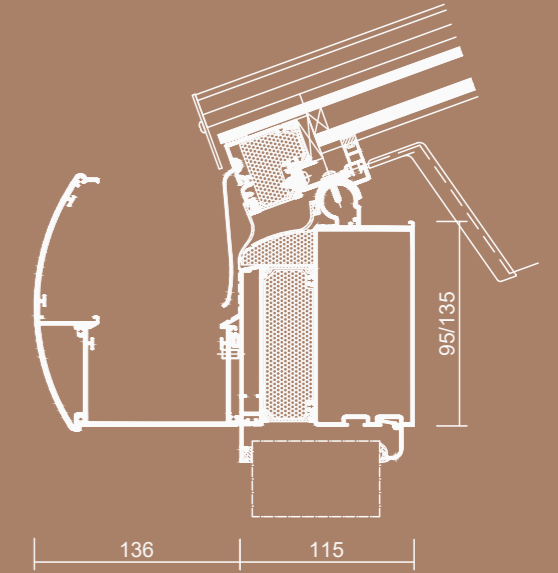
Version with pressure glazing



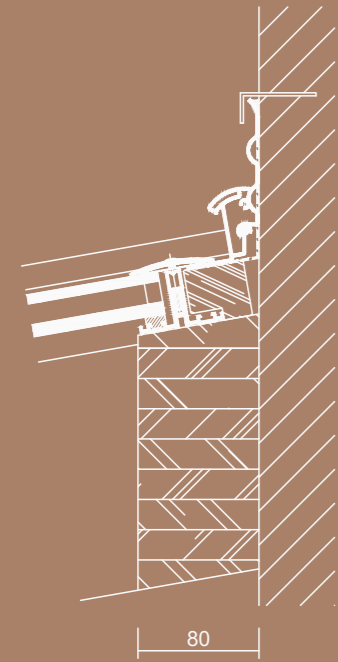
Eaves with high-performance thermal insulation

- Multi-section eaves with rounded Softline profile on the outside
- Available in two sizes and with steel reinforcement depending on structural requirements
- Compatible with vertical glass elements with different overall depths
- Elegant interior support structure with glass moulding

Version with stepped-edged glazing

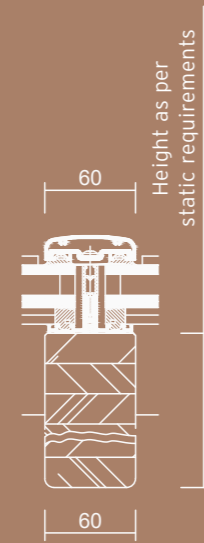


SDL Avantgarde



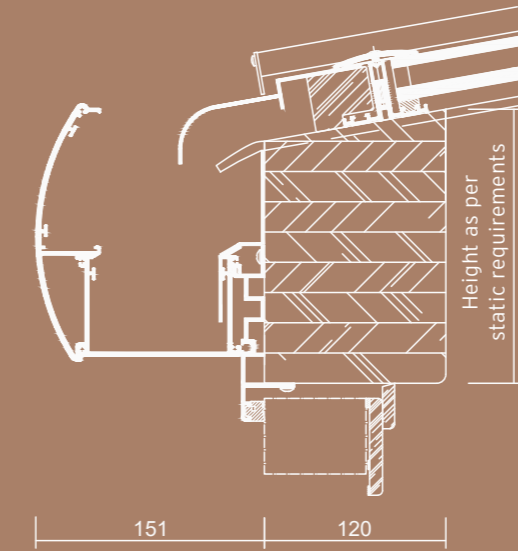
Wall joint

- Inside wall joint made of multi-laminate wood
- Outer aluminium profile cover



Rafters

- Multi-laminate wooden rafters with rear-ventilated aluminium covers
- Height varies depending on structural requirements
- With optional spotlight rail



Eaves

- Multi-section, laminated wood eaves with rounded Softline profile on the outside
- Available in different sizes depending on structural requirements

A sustainable, family-run company

Down-to-earth, innovative and passionate

For almost 40 years, Solarlux has represented exceptional quality in the production of bi-folding doors, winter-gardens and facade solutions. Founded by Herbert Holtgreife and Heinz-Theo Ebbert (+ 1990), the company is now managed by Holtgreife's son, Stefan. But the real driving force behind Solarlux is its employees: a workforce of around 1,000 imaginative staff is vital to the success of the leading system provider.

The company's environmentally friendly approach to production, in-house production control structure and compliance with the highest quality standards are reflected in its ISO 9001, ISO 50001 and DIN EN 1090 certificates. When combined with the extensive community outreach that has been part of Solarlux ever since it was founded, this truly makes the family-owned company something special.

The Solarlux Campus

We see ourselves as pioneers of solar architecture. Not only have our products always connected interior and exterior with transparent and movable glazing solutions, but they also positively influence the energy balance of a building in terms of sustainability. This principle is also consistently applied across the Solarlux Campus.

The double-skin facade acts as a climate buffer zone in summer, while in winter and the cooler months it generates a yield of solar energy. By combining this with geothermal energy and a cogeneration unit, the Solarlux Campus is able to reach an energy level well above the average for an industrial building of its size. The gigantic photovoltaic system on the roofs of the production areas generates an output of 1.5 MWp and covers almost 70% of the building's electricity requirements. The rest is provided by the cogeneration unit. The resulting carbon offset is more than the combined emissions of 400 four-person households - per year. As a result, the Solarlux Campus is already almost completely energy-neutral - and we're working on achieving full energy neutrality, too.



Stefan and Herbert Holtgreife





What does Solarlux stand for?

- Family-owned company
- Certified in accordance with ISO 9001
- In-house research and development
- Partner to renowned architects' bureaus all around the world
- 1,000 employees worldwide
- Projects successfully completed in more than 60 different countries
- Community outreach, sense of responsibility for people and nature



Production

- A 57,000 m² production site
- High-tech industrial production with a manufacturing philosophy
- In-house painting line and powder coating plant
- Sustainable and energy-saving
- Certified energy management in accordance with ISO 50001



Products

- Designed, engineered and made in Germany
- CE-approved
- Certified and independently tested
- Winners of national and international design awards
- Equipped with the best profile surfaces
- Compliant with the strictest quality standards
- Individual custom products made to order



Service

- Top-class consultation, everything from a single source
- Professional implementation of private and public building projects
- Digital customer portal with personal project documents
- Professional partner network across Germany
- Maintenance and service agreements that also extend beyond project completion
- Tidy installation



Solarlux digital

More inspiration

Projects, references, news - the world of Solarlux moves fast, and an image is sometimes worth a thousand words. What more reason do you need to visit our website or the mySolarlux portal, or to follow us on social media? You can open our mySolarlux customer portal by simply scanning a QR code attached to your system, allowing you to access all the information relating to your project or order accessories, for example. But even in this digital age, it should go

without saying that we love hearing from you directly and answering your questions in person or on the phone. So don't delay - contact us today! Whether you'd like a zero-obligation consultation session, a sketch of your personal idea, or simply an answer to a question, there are plenty of ways to get in touch with us.



