

KASTRUP ENERGY

TIMBER/ALUMINIUM WINDOW

TECHNICAL DATA:

Design Modern, sleek profiles with square-edged interior design and an exterior feature glazing bead.

Can be perfectly combined with timber/aluminium entrance doors and sliding doors.

Thermal insulation Thermal insulation with standard triple glazing and Swisspacer Advance ($U_g = 0.53 \text{ W/m}^2\text{K}$)
 $U_w = 0.78 \text{ W/m}^2\text{K}$; g_g value 56%

For best energy efficiency we recommend ECLAZ glazing with $U_g = 0.53 \text{ W/m}^2\text{K}$; g_g value 61%

Sound insulation Soundproofing up to 46dB (with corresponding glazing)
 Soundproofing of open windows up to $R_w + C_{tr}$ 24dB (with special acoustic windows)

System description 120mm standard frame depth
 High standard security
 PAS24 security option available
 Can be coupled with timber/aluminium entrance doors and sliding doors
 High thermal insulation with our unique composite rebate
 Night vent as standard
 Coloured hinges as an option
 Choice of visible or concealed drainage



Top insulation and longevity

The profile of the frame rebate is made of a fibre-reinforced composite material, that creates a highly insulated product without the risk of rot or fungus.



High weathertightness

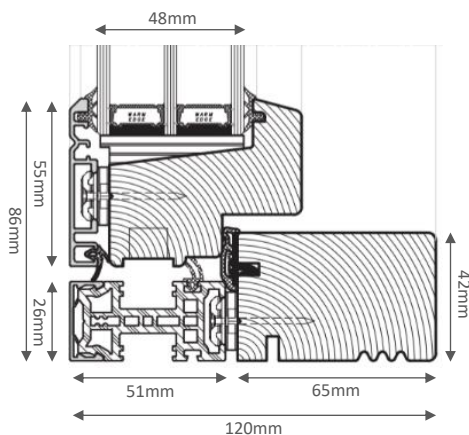
One seal on the sash and a frame seal that is fitted in a groove, so it does not shrink and retract over time. A third seal on the composite rebate is an option.



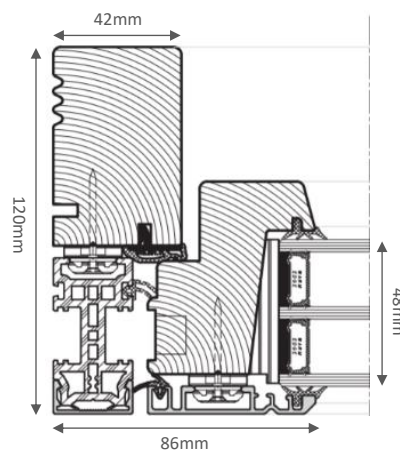
Harmonic design

The interior and exterior glazing gasket adjust its colour depending on the light or dark colours on the exterior aluminium and interior timber.

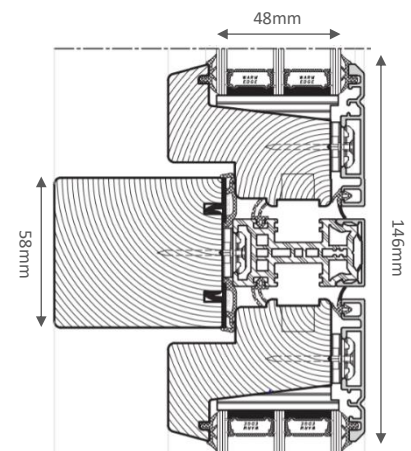
Vertical section



Horizontal section



Mullion section



System description

- Timber frame with slow growing finger-joint North Scandinavian pine. All pine is FSC® or PEFC® certified.
- Frame depth possibilities: 88, 100, 120, 140, 160, 180, 200, 220cm
- Fibre-reinforced composite rebate
- Aluminium outside: Extra resistant FIJI PPC colours as standard, RAL, highly weather resistant structural, matt, metallic and granite colours available
- Timber inside: 10 standard timber colours, RAL and NCS along with mahogany and oak as available options
- Glass thickness 24, 40, 48mm
- Reinforcement profiles for maximum stability between wood and composite
- Hardened restrictor hooks
- Adjustable secure strike plates

Quality assurance/monitoring

- In-house quality assurance system
- DVV certification

Warranty

- Please consult the Maintenance-Care and- Warranties booklet for detailed information on the Kastrup warranty

Sound insulation

- 32 – 46 dB

Designs

- Inward and outward opening windows in the same element
- Angular and triangular windows
- Round and curved windows
- Modern and traditional interior profiling

Opening types

- Top guided windows (concealed hinges and friction brake)
- Side hung windows (with handle-controlled brake)
- Side guided windows (concealed hinges and friction brake)
- Reversible windows
- Fixed
- Patio doors and double patio doors (with handle-controlled brake)
- Window doors and double window doors (with handle-controlled brake)
- Tilt and turn
- Glass-to-glass corners
- Front doors and panelled doors
- Sliding doors

Heat insulation

- $U_w = 0.78 \text{ W/m}^2\text{K}$ with triple glazing
- $U_g = 0.53 \text{ W/m}^2\text{K}$
- $U_w = 1.29 \text{ W/m}^2\text{K}$ with double glazing
- $U_g = 1.12 \text{ W/m}^2\text{K}$
- Interior surface temperature $T_{oi} = 14.6^\circ\text{C}$

Load category

- Joint and air permeability EN 12207 up to category 4
- Impermeability against driving rain EN 12208 up to category 9A
- Wind load EN 12210 up to category 3C

Options

- Exposed fanlight opener
- Coloured hinges
- Trickle vents in aluminium as well as black and white colour
- Handles in aluminium and black powder-coating
- Restrictors
- Glazing bars with New Yorker style
- Glass balustrades

KASTRUP WINDOWS

Mosebyvej 40, 7500 Holstebro, Denmark
uk@kastрупvindowet.dk

Distribution, installation, and service by authorised Kastrup distribution partners

www.kastрупvindowet.com