



Thermally broken wood structure with aluminium cover sections and internal structural members

The SDL Avantgarde roofing system allows you to enjoy the cosy atmosphere of wood in the interior whilst the aluminium covers on the exterior give protection from the elements. The internal wood structure makes every roof shape possible. Elegant processing and limitless choice with regard to design, colour and function allow you free rein to impart your individual requirements. When the appropriate vertical elements, glazing, ventilation and shades are installed, the system meets the requirements of the European Energy Saving Ordinance (EnEV) for heated residential grade wintergardens.

567521007-900 / 12.2009 / Subject to technical changes



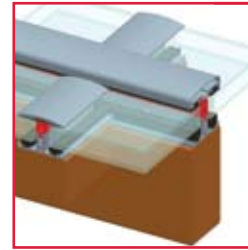
WINTERGARDEN
SDL Avantgarde

SOLARLUX[®]
glass in motion

SOLARLUX[®]

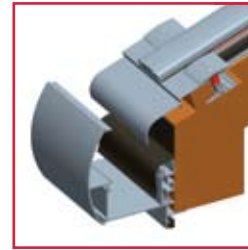


Advantages



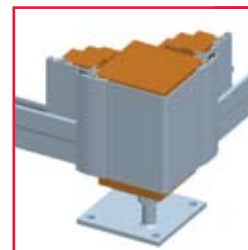
Rafter

- | Elegant design
- | Precisely designed insulation zones eliminate condensation weak spots in all connection areas
- | Glulam rafters are characterised by excellent resistance to warping and cracking as well as being very stable
- | Inside: Seasoned and treated wood
- | Outside: Rear-ventilated aluminium cladding



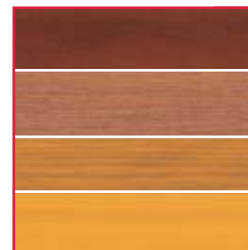
Gutter/downpipe

- | Elegant rainwater removal system
- | Improved appearance with harmonious gutter design
- | Downpipe clad in colour matched aluminium profiles



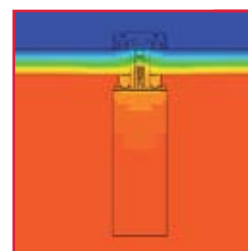
Variable corner post

- | Accepts vertical structural elements of 50-90 mm installation depths
- | 25 mm external stop facilitates optimal compensation of construction and assembly tolerances
- | Internal mullion installation using wood strips in wintergarden colour on the posts and eaves



Wide range of colours

- | Aluminium surface finishing with hundreds of colour tones possible
- | Large selection of high quality woods which can be custom stained in the colour of your choice



Rate of heat transfer

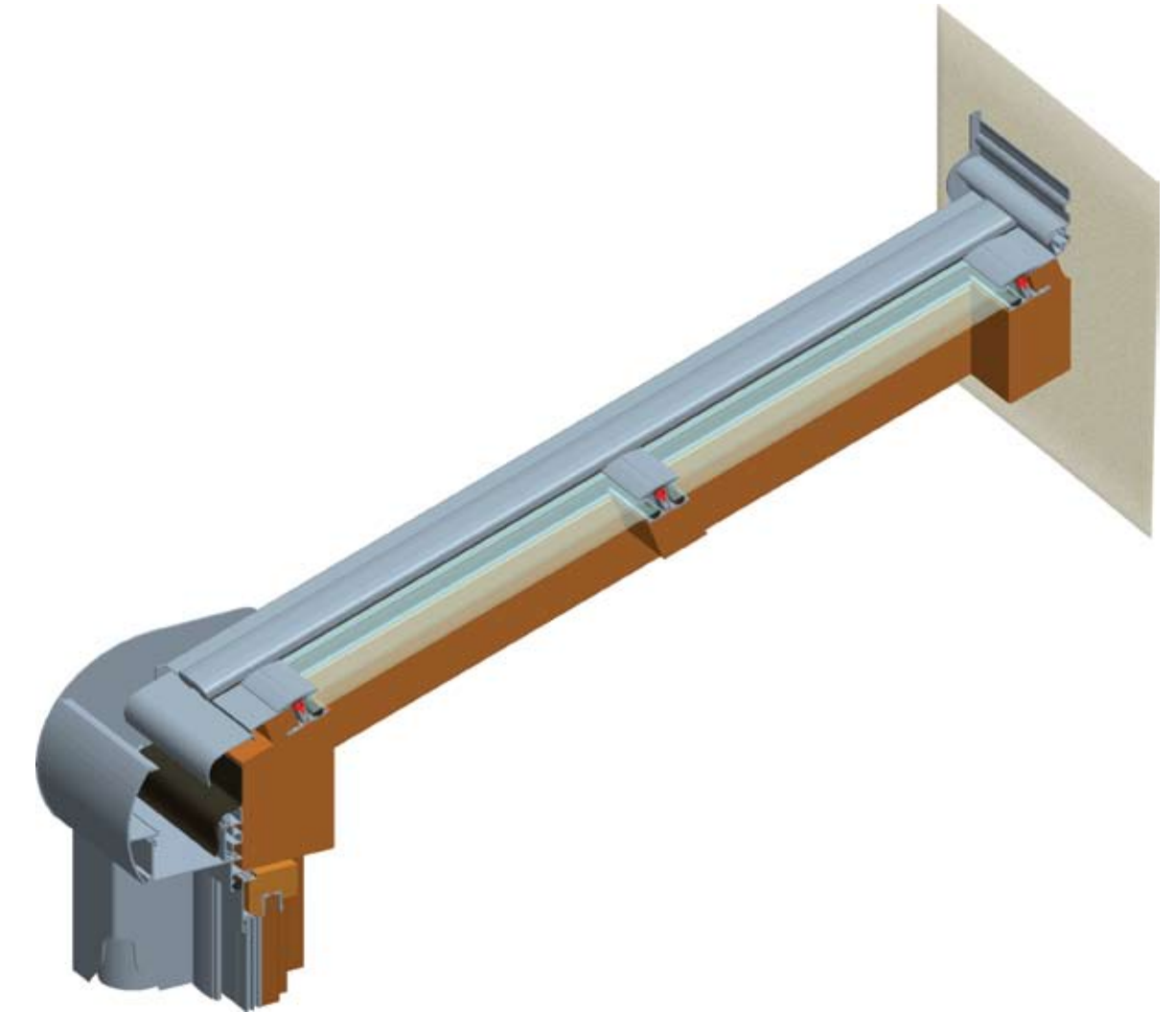
- | Isothermal flow
- | Low U-Values



Lighting

- | No drilling in rafter necessary
- | Fixed to busbar
- | Variable lighting systems for flexible illumination of the wintergarden

Technical data



Section technology:

- | Completely thermally broken roofing system
- | Roof pitches of 5° to 45° possible
- | Different dimensions depending on structural requirements
- | Easy, quick installation of the wall socket
- | Internal mullion installation using wood strips in wintergarden colour on the posts and eaves
- | Variety of rafter heights and eaves sizes possible
- | Aeration/ventilation thanks to high quality skylights, manual or automated, and/or metering fans or tangential fans with automated controls

Glazing:

- | Roof glazing from 26 to 46 mm with 4-sided structural glazing
- | Controlled, cascade-like drainage of entire roofing system

Surface:

- | Powder coating to RAL colours
- | Eloxal acc. to EURAS

Vertical elements:

- | Preferred vertical elements: SL 67, SL 68 HA